

TDA1540TD, PN 14-Bit DAC (Serial Output)

Product Specification

033018

Linear Products

DESCRIPTION

The TDA1540 is a monolithic integrated 14-bit digital-to-analog converter (DAC). It incorporates a 14-bit input shift register with output latches, binary weighted current sources with switches and a reference source.

The IC features an improved switch circuitry which eliminates the need for a deglitcher circuit at the output. This results in a signal-to-noise ratio of typical 85dB in the audio band.

FEATURES

- Clock frequency 12MHz
- Signal-to-noise ratio 85dB
- TTL compatible input
- On-chip current reference
- Inherent monotonicity from -25°C to 70°C
- Serial data input

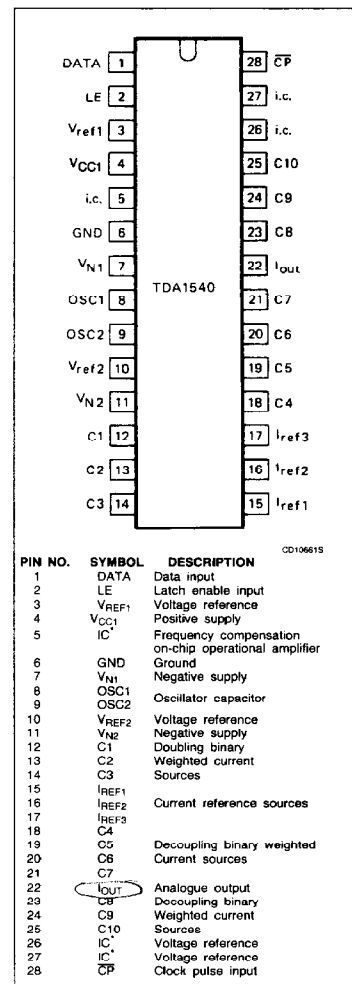
APPLICATIONS

- Sound reproduction
- Recording systems
- Graphic display systems
- Electron-beam recording

ORDERING INFORMATION

DESCRIPTION	TEMPERATURE RANGE	ORDER CODE
28-Pin Plastic DIP (SOT-117BE)	0 to $+70^{\circ}\text{C}$	TDA1540PN
28-Pin Plastic SO (SOT-117BE)	0 to $+70^{\circ}\text{C}$	TDA1540D

PIN CONFIGURATION



14-Bit DAC (Serial Output)

TDA1540TD, PN

ABSOLUTE MAXIMUM RATINGS

SYMBOL	DESCRIPTION	RATING	UNIT
	Supply voltages with respect to GND (Pin 6)		
V _{CC1}	at Pin 4	MAX. 12	V
V _{N1}	at Pin 7	MAX. -12	V
V _{N2}	at Pin 11	MAX. -20	V
V _{P1} - V _{N2}	at Pin 4 with respect to Pin 11	MAX. 32	V
V _{N1} - V _{N2}	at Pin 7 with respect to Pin 11	-1 to +20	V
P _{TOT}	Total power dissipation	Max. 600	mW
T _{STG}	Storage temperature range	-65 to +150	°C
T _A	Operating ambient temperature range	-25 to +80	°C

*per Bob
input code - bin.*

DC ELECTRICAL CHARACTERISTICS T_A = 25°C at typical supply voltages unless otherwise specified.

SYMBOL	PARAMETER	LIMITS			UNIT
		Min	Typ	Max	
Supply voltages with respect to GND (Pin 6)					
V _{CC1}	at Pin 4	3	5	7	V
V _{N1}	at Pin 7	-4.7	-5	-7	V
V _{N2}	at Pin 11	-16.5	-17	-18	V
Supply currents					
I _{CC1}	at Pin 4 ¹		12	14	mA
I _{N1}	at Pin 7		-20	-24	mA
I _{N2}	at Pin 11		-11	-13	mA
Power dissipation					
P _{TOT}	Total power dissipation		350	410	mW
Temperature					
T _A	Operating ambient temperature range	-20		+70	°C
Data input DATA (Pin 1)					
V _{IH}	Input voltage HIGH	2.0		7.0	V
V _{IL}	Input voltage LOW	0		0.8	V
I _{IH}	Input current HIGH at V _{IH}			50	μA
-I _{IL}	Input current LOW at V _{IL}			0.2	mA
BR _{MAX}	Maximum input bit rate	12			Mbits/s
Latch enable input LE (Pin 2)					
Clock input CP (Pin 28)					
V _{IH}	Input voltage HIGH	2.0		7.0	V
V _{IL}	Input voltage LOW	0		0.8	V
I _{IH}	Input current HIGH at V _{IH}			50	μA
-I _{IL}	Input current LOW at V _{IL}			0.2	mA
f _{CPMAX}	Maximum clock frequency	12			MHz
Oscillator (Pins 8 and 9)					
f _{OSC}	Oscillator frequency at C ₈₋₉ = 820pF	100	160	200	kHz

14-Bit DAC (Serial Output)

TDA1540TD, PN

DC ELECTRICAL CHARACTERISTICS (Continued) $T_A = 25^\circ\text{C}$ at typical supply voltages unless otherwise specified.

SYMBOL	PARAMETER	LIMITS			UNIT
		Min	Typ	Max	
Analog output I_{OUT} (Pin 22)					
V_{OC}	Output voltage compliance	-10		+10	mV
I_{FS}	Full-scale current	3.8	4.0	4.2	mA
$\pm I_{ZS}$	Zero-scale current			100	nA
TC_{FS}	Full-scale temperature coefficient $T_A = -20$ to $+70^\circ\text{C}$		$\pm 30 \times 10^{-6}$		$^\circ\text{C}^{-1}$
t_{CS}	Settling time to $\pm 1/2$ LSB all bits on or off		0.5		μs
S/N	Signal-to-noise ratio ²	80	85		dB

NOTES:

- When the output current is $1/2 I_{FS}$ ($1/2$ full-scale output current).
- Signal-to-noise ratio within 20Hz and 20kHz full-scale sinewave, generated at a sample rate of 44kHz.

FUNCTIONAL DESCRIPTION

The binary weighted current sources are obtained by a combination of a passive divider and a time division concept. Figure 1a gives the diagram of one divider stage. The total emitter current $4I$ of the passive divider is divided into four more or less equal output currents.

The output currents of the passive divider are now interchanged during equal time intervals generated by means of a shift register. The

average output currents are exactly equal as a result of this operation. A ripple on the output current, caused by a mismatch of the passive divider, is filtered by an AC low-pass filter, requiring an external filter capacitor.

The outputs of the dividers are combined to obtain the output currents I_1 , I_2 and $2I_3$ (see Figure 1b). The current of the most significant bit is generated by an on-chip reference source. A binary weighted current network is formed by cascading the current division stages (see Figure 2).

The interchanging pulses are generated by an on-chip oscillator and a 4-bit shift register. The binary currents are switched to the current output (Pin 22) via diode-transistor switching stages; therefore, the voltage on the output pin must be $0V \pm 10\text{mV}$. The output current can be converted into a voltage by means of a summing amplifier.

Figure 3 represents the data input format, and an application circuit is given in Figure 4.

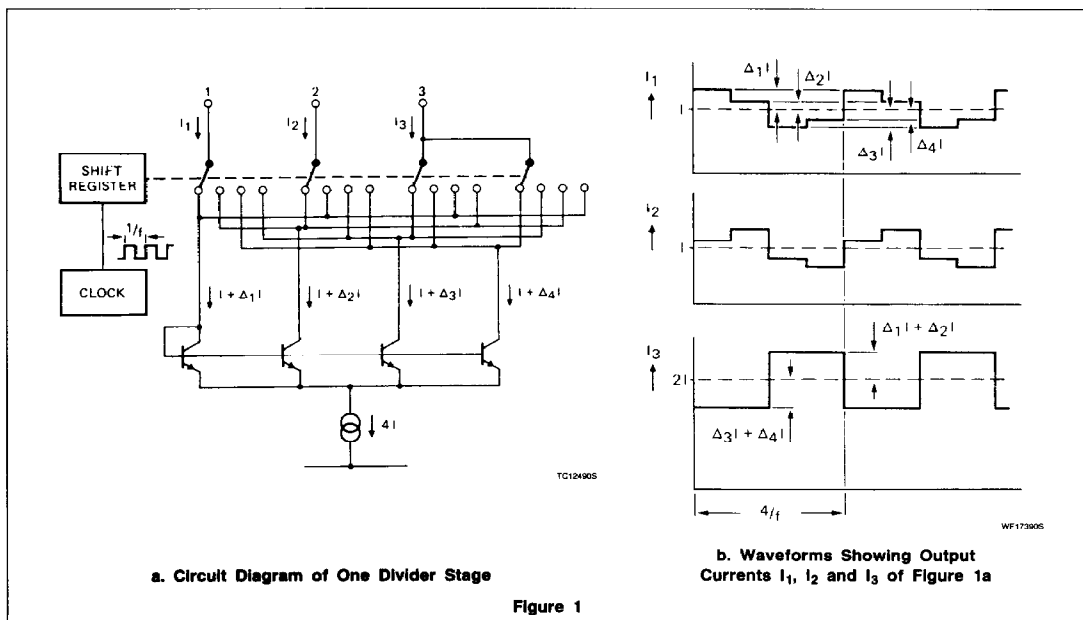


Figure 1

14-Bit DAC (Serial Output)

TDA1540TD, PN

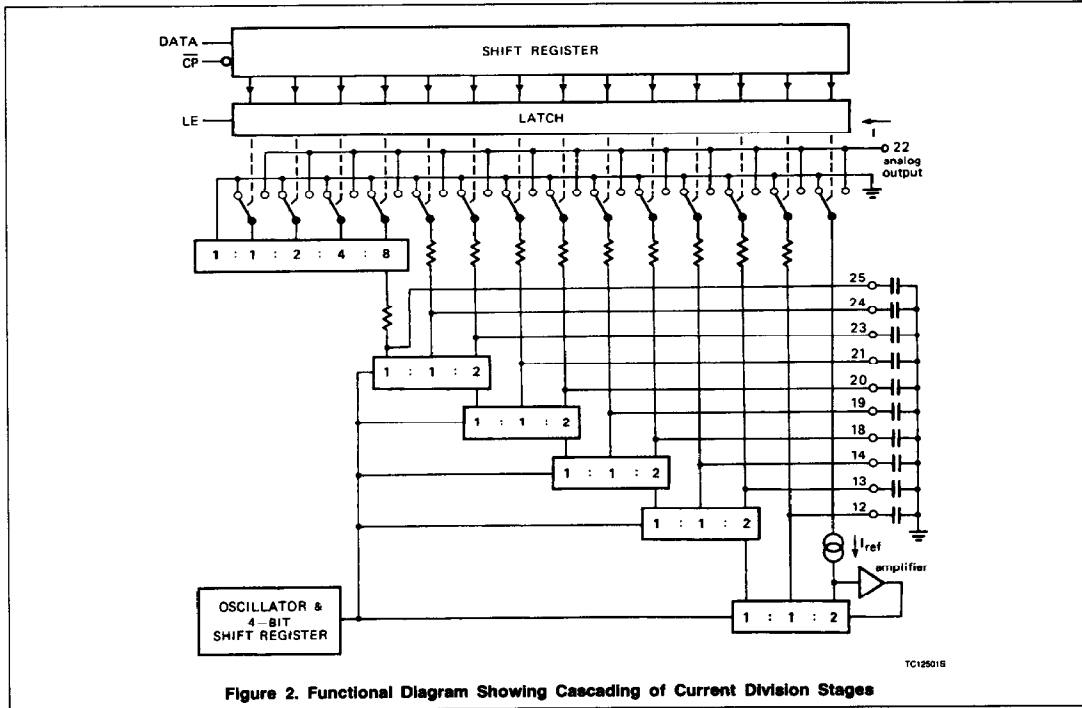


Figure 2. Functional Diagram Showing Cascading of Current Division Stages

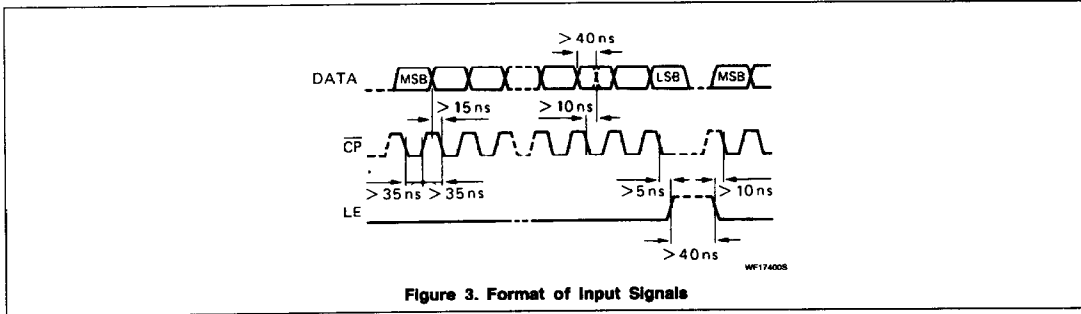


Figure 3. Format of Input Signals

14-Bit DAC (Serial Output)

TDA1540TD, PN

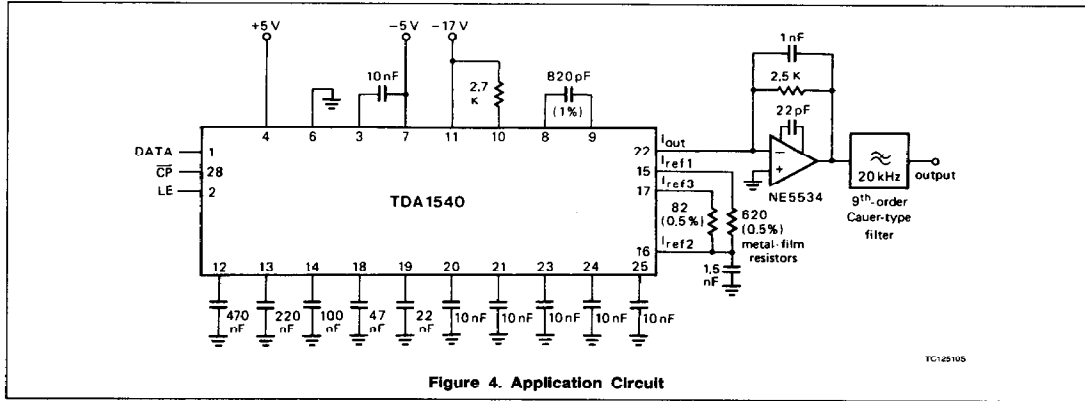


Figure 4. Application Circuit